



FEED AND BIOFUEL

COOLER

PCF AND CBK

ANDRITZ

ENGINEERED SUCCESS

Counter flow coolers for pelleting and extrusion applications

ANDRITZ has been manufacturing counter flow coolers for both pelleting and extrusion applications for over 30 years. This time-tested technology is still the most effective, safe and efficient method of cooling available in the industry today. As hot pellets are dispensed into the cooling chamber from the rotary valve above, fresh, cold air is being drawn down through the pellets from below.

Consequently, the last, hottest pellets discharged into the cooler are always encountering fresh air. As these pellets fill to the height of the mid-level switch, dispensing is temporarily halted and the pellets are discharged until this switch is uncovered again. This action ensures that ideal retention times are met and an optimal cooling temperature of 5°C above ambient temperature results.

The cooler comes with legs, a discharge hopper, a man-hole and a rotary valve located between the pellet mill and cooler. The rotary valve, hood, and bin walls are all manufactured in stainless steel for easy cleaning and protection against corrosion which ultimately improves over-all hygienic conditions inside the equipment.

The coolers are constructed with beveled corners to aid in pellet cooling and are also equipped with stationary pellet spreaders. However, an optional rotating pellet spreader is available for the cooler hood which ensures

the pellets entering the cooler are evenly distributed. Additionally, an optional adjustable rotating rake is available to remove craters on very light products.

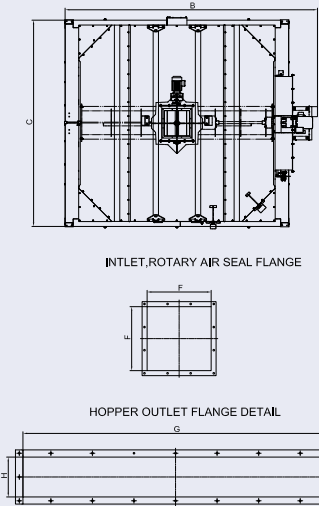
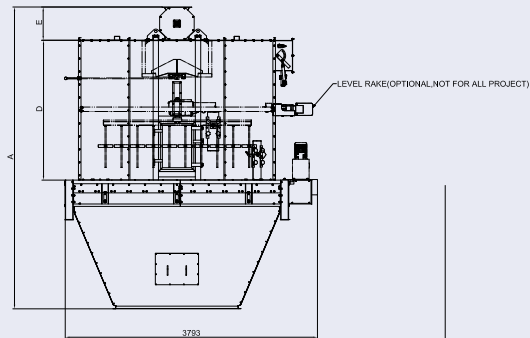
Counter-flow coolers are designed with an easily adjustable variable discharge system, a hydraulic drive station, and are available with either a grid discharge for pellets (PCF models) or swivel valves (CBK models), the latter of the two is gentler on the product and more effective on difficult products flowing products.

This cooler offers many features that make operation and safety a priority such as a large, transparent inspection door with safety switches for monitoring of the pelleting and cooling process, easily adjustable level switches for high level, discharge and empty levels. A fire protection system with a temperature sensor in exhaust air and a pneumatic damper. Fan and fines separator is available in either a cyclone or filter.

PCF AND CBK COOLER FEATURES

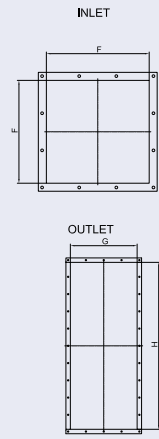
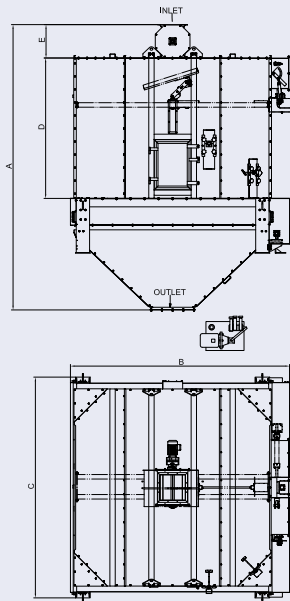
- Inlet rotary valve in stainless steel with directly coupled gear motor.
- Suction hood in stainless steel.
- Stationary pellet spreader
- Bin walls with 4 stainless steel sides, of which 1 side is provided with hard glass inspection window and switch.
- 2 rotating level sensors with brackets.
- Standard outlet hopper with central outlet, and standard leg length.
- Fire detector, adjustable thermostat in hood.
- Grid discharge unloading system type PCF with hydraulic unit.
- Unloading system type CBK: Swivel valve system for pellets, chips, lumps, extrudates etc. The system is actuated by a hydraulic piston with a motor driven oil pump.
- Unloading capacity adjustable by proximity switches
- Manhole in outlet hopper, for unloading system
- Valve in exhaust, pneumatic with air piston and solenoid valve. For shut off on fire detection.
- Set of supporting legs, non-standard





PCF Cooler

CBK Cooler



TECHNICAL DATA - PCF

Cooler model	Weight (Kg)	Grid area (m ²)	A (mm)	B (mm)	C (mm)	D (mm)	E (mm)	Inlet FxF (mm)	Outlet G(mm) H(mm)
PCF010	1600	3,53	3023	2753	2154	1443	450	305	1000 1000
PCF015	1940	4,35	3499	3318	2154	1683	450	305	1180 240
PCF020	2320	5,26	3721	3318	2634	1803	450	385	1200 240
PCF030	3200	7,84	4539	3793	3114	2103	500	385	1836 240
PCF040	5000	9,4	5084	4341	3626	2753	500	385	2000 1000

TECHNICAL DATA - CBK

Cooler model	Weight (Kg)	Grid area (m ²)	A (mm)	B (mm)	C (mm)	D (mm)	E (mm)	Inlet FxF (mm)	Outlet G(mm) H(mm)
CBK015	2580	4,35	3803	2806	2324	1683	450	305	1000 300
CBK020	2840	5,26	4308	2850	2776	1803	450	305	1300 300
CBK030	4000	7,84	4523	3284	3306	2103	500	385	1840 240
CBK040	5630	9,4	5308	3996	3776	2753	500	385	1400 500



GLOBAL SUPPLIER – LOCAL PRESENCE

With sales, service, engineering, manufacturing and production sites located all around the world, ANDRITZ Feed and Biofuel is truly a global organization with a local presence. ANDRITZ is vital to ensuring a reliable global supply of aqua feed, animal feed, pet food, and biofuel. With full process lines accounting for half the world's production of aqua feed and biomass alone, we continuously support leading producers in achieving the highest levels in safety, quality, and control from feedstock to final product.

How can we help grow your business?

ANDRITZ Feed and Biofuel A/S

Glentevej 5-7
6705 Esbjerg, Denmark
p: +45 72 160 300
andritz-fb.dk@andritz.com

AUSTRALIA

p: +61 3 8773 4888
andritz-fb.au@andritz.com

CHINA

p: +86 21 5774 5781
andritz-fb.cn@andritz.com

ITALY

p: +39 (0445) 575 695
andritz-fb.it@andritz.com

TURKEY

p: +90 232 570 38 00
andritz-fb.tr@andritz.com

BANGLADESH

p: +880 22 2226 4800
andritz-fb.bd@andritz.com

DUBAI

p: +971 4 299 5555
andritz-fb.uae@andritz.com

MEXICO

p: +52 443 323 1530 ext 364
andritz-fb.mx@andritz.com

UK

p: +44 1482 825119
andritz-fb.uk@andritz.com

BRAZIL

p: +55 47 3387 9146
andritz-fb.br@andritz.com

FRANCE

p: +33 24 75 06 364
andritz-fb.fr@andritz.com

NETHERLANDS

p: +31 40 2627777
andritz-fb.nl@andritz.com

USA

p: +1 570 546 1253
andritz-fb.us@andritz.com

CANADA

p: +1 519 676 7057
anbosales@andritz.com

GERMANY

p: +49 2104 9197 0
andritz-fb.de@andritz.com

POLAND

p: +48 60 906 1037
andritz-fb.pl@andritz.com

VIETNAM

p: +84 8 6253 9434
andritz-fb.vi@andritz.com

CHILE

p: +56 2 24624608
andritz-fb.cl@andritz.com

INDIA

p: +91 87544 15287
andritz-fb.india@andritz.com

SOUTH AFRICA

p: +27 82 781 0808
andritz-fb.za@andritz.com

[ANDRITZ.COM/FT](https://www.andritz.com/ft)

JOIN US ON SOCIAL MEDIA



All data, information, statements, photographs and graphic illustrations in this leaflet are without any obligation and raise no liabilities to or form part of any sales contracts of ANDRITZ AG or any affiliates for equipment and/or systems referred to herein. © ANDRITZ AG 2021. All rights reserved. No part of this copyrighted work may be reproduced, modified or distributed in any form or by any means, or stored in any database or retrieval system, without the prior written permission of ANDRITZ AG or its affiliates. Due to legal requirements, we must inform you that ANDRITZ AG processes your data for the purposes informing you about the ANDRITZ GROUP and its activities. Find out more details about our data privacy declaration and your rights under the data protection legislation on our website: [andritz.com/privacy](https://www.andritz.com/privacy). ANDRITZ AG, Stattegger Strasse 18, 8045 Graz, Austria.



1141 GB